

- NOTES:**
1. INSTALLATION SHALL COMPLY WITH ALL APPLICABLE NATIONAL, STATE AND LOCAL ELECTRICAL REGULATIONS.
 2. REFER TO PRODUCT DOCUMENTATION FOR ADDITIONAL DETAILS PRIOR TO INSTALLATION AND SITE PREPARATION WORK.
 3. UNLESS OTHERWISE SPECIFIED, ALL DIMENSIONS ARE IN MILLIMETERS [INCHES].
 4. NET WEIGHT OF UNIT IS 2.26kg [5 lb].
 5. POWER CORD OF 2500mm [98.4 inches] LENGTH WITH IEC 320 C20 PLUG IS PROVIDED WITH RM-PDU.

THIS DRAWING AND SPECIFICATIONS HEREIN ARE THE PROPERTY OF SCHNEIDER ELECTRIC AND SHALL NOT BE COPIED, REPRODUCED OR USED IN WHOLE OR IN PART, AS THE BASIS FOR THE MANUFACTURE OR SALE OF ITEMS WITHOUT WRITTEN PERMISSION FROM SCHNEIDER ELECTRIC. THIS DRAWING IS BASED UPON LATEST AVAILABLE INFORMATION AND IS SUBJECT TO CHANGE WITHOUT NOTICE.

Schneider Electric

TITLE: RACK PDU, SWITCHED, 1U
1PH, 16A, 208-230VAC
INPUT: 200-240VAC, IEC-320 C20
OUTPUT: 208-230VAC, (8)IEC320 C13
GENERAL ARRANGEMENT

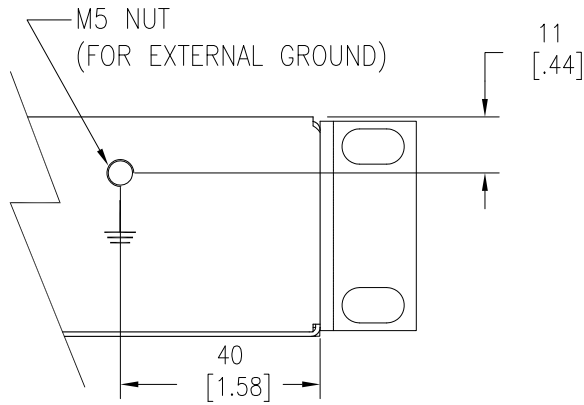
PROJECT: SUBMITTAL DRAWINGS **SHEET 1 OF 2**

DWG NO: AP7921B **REV:** 0

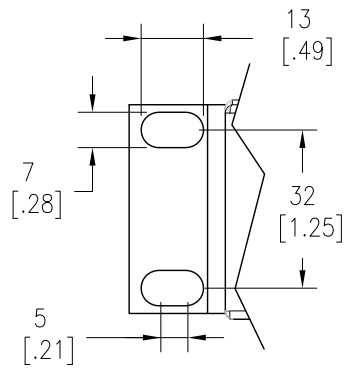
DRAWN: JAYAPRAKASH 29-AUG-16 **FIRST ANGLE PROJECTION**

ENGINEER: KATIE RICK 09-DEC-16

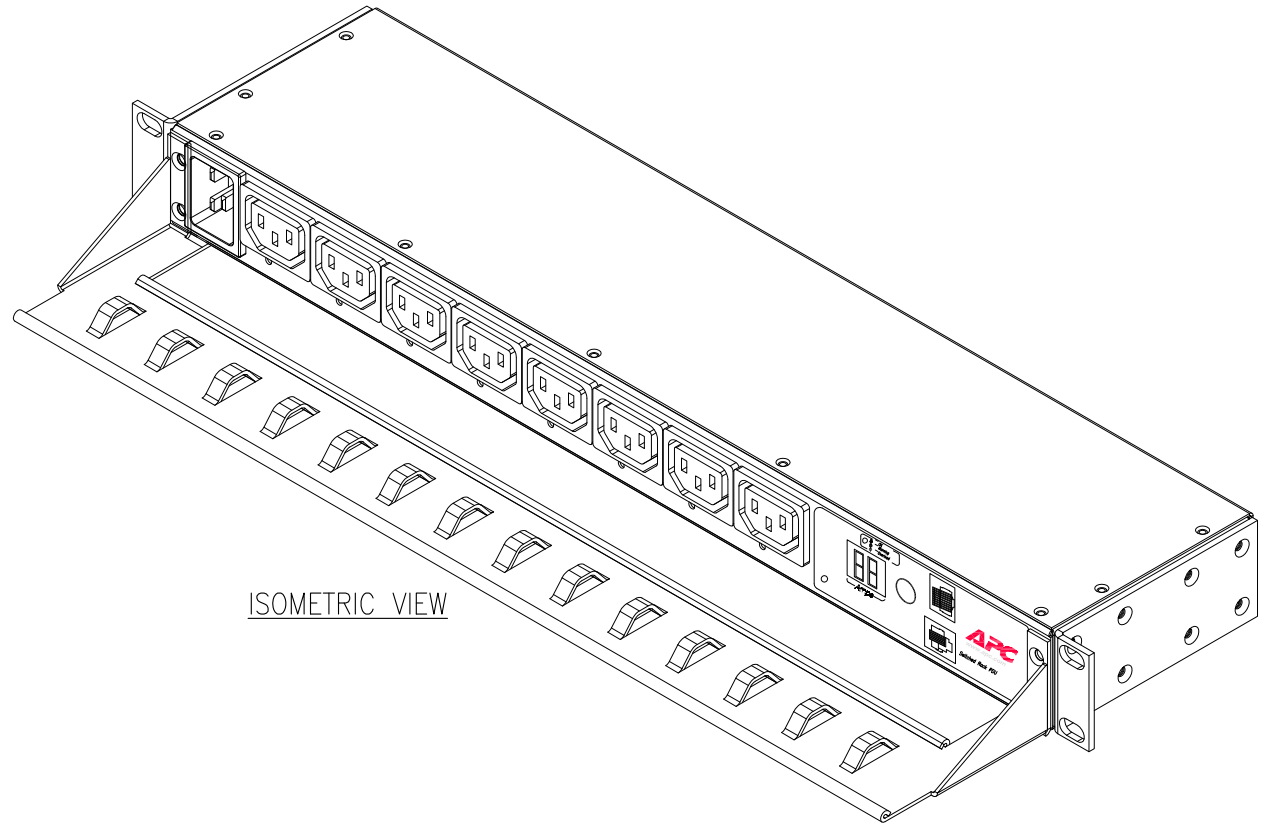
APPROVED: KATIE RICK 09-DEC-16



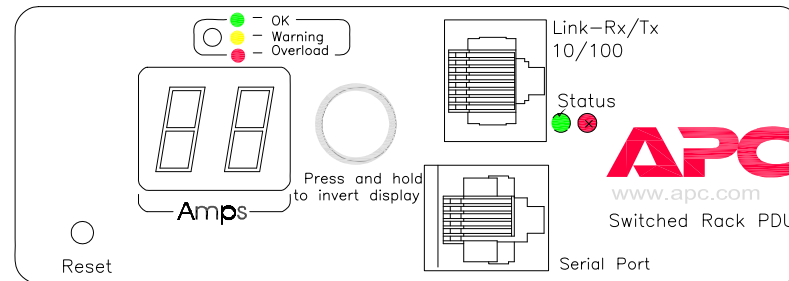
VIEW A
SUPPLEMENTARY GROUND TERMINAL



VIEW B
(MOUNTING BRACKET-ENLARGED)



ISOMETRIC VIEW



VIEW C
(DISPLAY INTERFACE-ENLARGED)

NOTES:

1. INSTALLATION SHALL COMPLY WITH ALL APPLICABLE NATIONAL, STATE AND LOCAL CODES.
2. REFER TO PRODUCT DOCUMENTATION FOR ADDITIONAL DETAILS PRIOR TO INSTALLATION AND SITE PREPARATION WORK.
3. ALL DIMENSIONS ARE IN MILLIMETERS [INCHES].

THIS DRAWING AND SPECIFICATIONS HEREIN ARE THE PROPERTY OF SCHNEIDER ELECTRIC AND SHALL NOT BE COPIED, REPRODUCED OR USED IN WHOLE OR IN PART, AS THE BASIS FOR THE MANUFACTURE OR SALE OF ITEMS WITHOUT WRITTEN PERMISSION FROM SCHNEIDER ELECTRIC. THIS DRAWING IS BASED UPON LATEST AVAILABLE INFORMATION AND IS SUBJECT TO CHANGE WITHOUT NOTICE.



TITLE: RACK PDU, SWITCHED, 1U
1PH, 16A, 208-230VAC
INPUT: 200-240VAC, IEC-320 C20
OUTPUT: 208-230VAC, (8)IEC320 C13
ISOMETRIC VIEW & VIEW DETAILS

PROJECT: SUBMITTAL DRAWINGS SHEET 2 OF 2

DWG NO:	AP7921B	REV:	0
DRAWN:	JAYAPRAKASH	DATE:	29-AUG-16
ENGINEER:	KATIE RICK	DATE:	09-DEC-16
APPROVED:	KATIE RICK	DATE:	09-DEC-16
			FIRST ANGLE PROJECTION