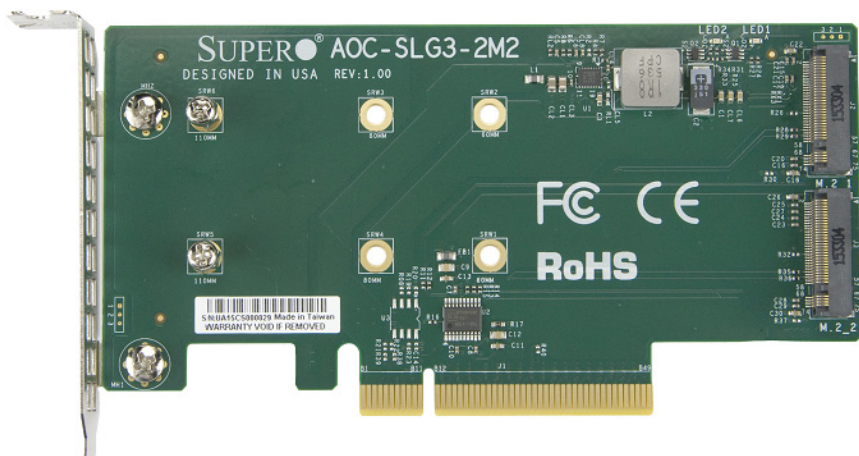




AOC-SLG3-2M2



User's Guide

Revision 1.0a

The information in this User's Guide has been carefully reviewed and is believed to be accurate. The vendor assumes no responsibility for any inaccuracies that may be contained in this document, and makes no commitment to update or to keep current the information in this user's guide, or to notify any person or organization of the updates. **Please Note: For the most up-to-date version of this user's guide, please see our Website at www.supermicro.com.**

Super Micro Computer, Inc. ("Supermicro") reserves the right to make changes to the product described in this user's guide at any time and without notice. This product, including software and documentation, is the property of Supermicro and/or its licensors, and is supplied only under a license. Any use or reproduction of this product is not allowed, except as expressly permitted by the terms of said license.

IN NO EVENT WILL SUPER MICRO COMPUTER, INC. BE LIABLE FOR DIRECT, INDIRECT, SPECIAL, INCIDENTAL, SPECULATIVE OR CONSEQUENTIAL DAMAGES ARISING FROM THE USE OR INABILITY TO USE THIS PRODUCT OR DOCUMENTATION, EVEN IF ADVISED OF THE POSSIBILITY OF SUCH DAMAGES. IN PARTICULAR, SUPER MICRO COMPUTER, INC. SHALL NOT HAVE LIABILITY FOR ANY HARDWARE, SOFTWARE, OR DATA STORED OR USED WITH THE PRODUCT, INCLUDING THE COSTS OF REPAIRING, REPLACING, INTEGRATING, INSTALLING OR RECOVERING SUCH HARDWARE, SOFTWARE, OR DATA.

Any disputes arising between the manufacturer and the customer shall be governed by the laws of Santa Clara County in the State of California, USA. The State of California, County of Santa Clara shall be the exclusive venue for the resolution of any such disputes. Supermicro's total liability for all claims will not exceed the price paid for the hardware product.

FCC Statement: This equipment has been tested and found to comply with the limits for a Class A digital device pursuant to Part 15 of the FCC Rules. These limits are designed to provide reasonable protection against harmful interference when the equipment is operated in a commercial environment. This equipment generates, uses, and can radiate radio frequency energy and, if not installed and used in accordance with the manufacturer's instruction manual, may cause harmful interference with radio communications. Operation of this equipment in a residential area is likely to cause harmful interference, in which case you will be required to correct the interference at your own expense.

California Best Management Practices Regulations for Perchlorate Materials: This Perchlorate warning applies only to products containing CR (Manganese Dioxide) Lithium coin cells. "Perchlorate Material-special handling may apply. See www.dtsc.ca.gov/hazardouswaste/perchlorate".

WARNING: Handling of lead solder materials used in this product may expose you to lead, a chemical known to the State of California to cause birth defects and other reproductive harm.

User's Guide Revision 1.0a

Release Date: March 24, 2017

Unless you request and receive written permission from Super Micro Computer, Inc., you may not copy any part of this document.

Information in this document is subject to change without notice. Other products and companies referred to herein are trademarks or registered trademarks of their respective companies or mark holders.

Copyright © 2017 by Super Micro Computer, Inc.
All rights reserved.

Printed in the United States of America

Preface

About this User's Guide

This user's guide is written for system integrators, IT technicians and knowledgeable end users. It provides information for the installation and use of the AOC-SLG3-2M2 expansion card.

About this Expansion Card

The AOC-SLG3-2M2 is an M.2 SSD carrier card that enables the user to add up to two NVMe M.2 SSDs to any X11 motherboard and select X10 motherboards. M.2 solid state technology is an optimized, high-performance scalable storage solution, effectively streamlined for enterprise and client systems that leverage the cutting-edge power of PCI Express.

An Important Note to the User

All images and layouts shown in this user's guide are based upon the latest PCB revision available at the time of publishing. The card you have received may or may not look exactly the same as the graphics shown in this user's guide.

Returning Merchandise for Service

A receipt or copy of your invoice marked with the date of purchase is required before any warranty service will be rendered. You can obtain service by calling your vendor for a Returned Merchandise Authorization (RMA) number. When returning the AOC-SLG3-2M2 card to the manufacturer, the RMA number should be prominently displayed on the outside of the shipping carton, and the shipping package is mailed prepaid or hand-carried. Shipping and handling charges will be applied for all orders that must be mailed when service is complete. For faster service, you can also request a RMA authorization online <http://www.supernmicro.com/RmaForm/>.

This warranty only covers normal consumer use and does not cover damages incurred in shipping or from failure due to the alteration, misuse, abuse or improper maintenance of products.

During the warranty period, contact your distributor first for any product problems.

Conventions Used in the User's Guide

Pay special attention to the following symbols for proper system installation and for safety instructions to prevent damage to the system or injury to yourself:

Warning: Important information given to ensure proper system installation or to prevent damage to the components or injury to yourself.

Note: Additional information given for proper system setup.

Contacting Supermicro

Headquarters

Address: Super Micro Computer, Inc.
980 Rock Ave.
San Jose, CA 95131 U.S.A.

Tel: +1 (408) 503-8000

Fax: +1 (408) 503-8008

Email: marketing@supermicro.com (General Information)
support@supermicro.com (Technical Support)

Website: www.supermicro.com

Europe

Address: Super Micro Computer B.V.
Het Sterrenbeeld 28, 5215 ML
's-Hertogenbosch, The Netherlands

Tel: +31 (0) 73-6400390

Fax: +31 (0) 73-6416525

Email: sales@supermicro.nl (General Information)
support@supermicro.nl (Technical Support)
rma@supermicro.nl (Customer Support)

Website: www.supermicro.nl

Asia-Pacific

Address: Super Micro Computer, Inc.
3F, No. 150, Jian 1st Rd.
Zhonghe Dist., New Taipei City 235
Taiwan (R.O.C)

Tel: +886-(2) 8226-3990

Fax: +886-(2) 8226-3992

Email: support@supermicro.com.tw

Website: www.supermicro.com.tw

Table of Contents

Preface

About this User's Guide	iii
About this Expansion Card.....	iii
An Important Note to the User.....	iii
Returning Merchandise for Service.....	iii
Conventions Used in the User's Guide.....	iv
Contacting Supermicro.....	v

Chapter 1 Overview

1-1 Overview	1-1
1-2 Technical Specifications	1-1
General.....	1-1
OS Support	1-1
Motherboard Support	1-1
Physical Dimensions	1-1

Chapter 2 Hardware Components

2-1 Expansion Card Layout and Components.....	2-1
2-2 Major Components.....	2-1
2-3 Connectors and LEDs.....	2-2
M.2 Sockets.....	2-2
Activity LEDs.....	2-3
2-4 Standoffs	2-4

Chapter 3 Installation

3-1 Static-Sensitive Devices.....	3-1
Precautions	3-1
Unpacking	3-1
3-2 Installing Expansion Cards	3-2
3-3 Installing the Drivers in Windows.....	3-5
3-4 Uninstalling the Drivers.....	3-5

Chapter 1

Overview

1-1 Overview

Congratulations on purchasing your expansion card from an acknowledged leader in the industry. Supermicro products are designed with the utmost attention to detail to provide you with the highest standards in quality and performance. For product support and updates, please refer to our website at <http://www.supermicro.com>.

1-2 Technical Specifications

General

PCIe 3.0 x8 low-profile card

Ambient operating temperature from 10°C - 55°C

Supports up to two NVMe M.2 SSDs

OS Support

The following operating systems and their later versions are supported:

Microsoft Windows® 2012 R2

Linux RedHat 7.0 and 7.1

Linux CentOS 7

Linux Ubuntu 14.4

Linux SUSE 12

Motherboard Support

X10DRT-H,

X10SRM-F/TF

Most X11 motherboards. Contact Supermicro tech support at www.supermicro.com for assistance with any hardware limitations associated with your motherboard.

Physical Dimensions

Card PCB dimensions: 2.71" x 5.24" (H x L)

Notes

Chapter 2

Hardware Components

2-1 Expansion Card Layout and Components

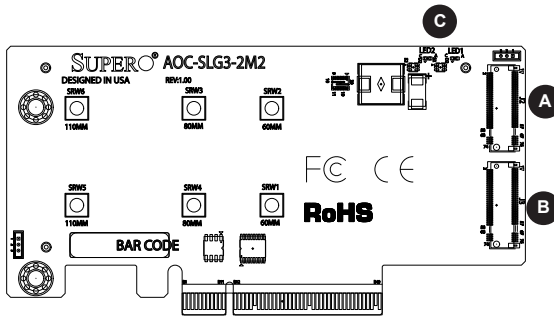


Figure 2-1. AOC-SLG3-2M2 Layout

2-2 Major Components

The following major components are on the AOC-SLG3-2M2:

- A. M.2 Socket 1
- B. M.2 Socket 2
- C. Activity LEDs

2-3 Connectors and LEDs

M.2 Sockets

There are two M.2 sockets on the expansion card.

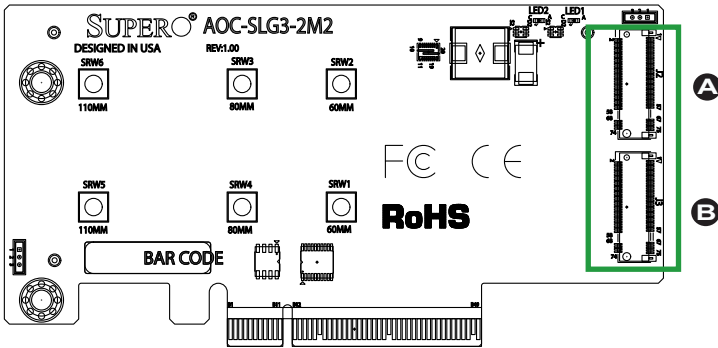


Figure 2-2. AOC-SLG3-2M2 NVMe Connectors

A. M.2 Socket 1

B. M.2 Socket 2

Activity LEDs

There are two Activity LEDs on the AOC-SLG3-2M2 designated LED1 and LED2. See the table below for information.

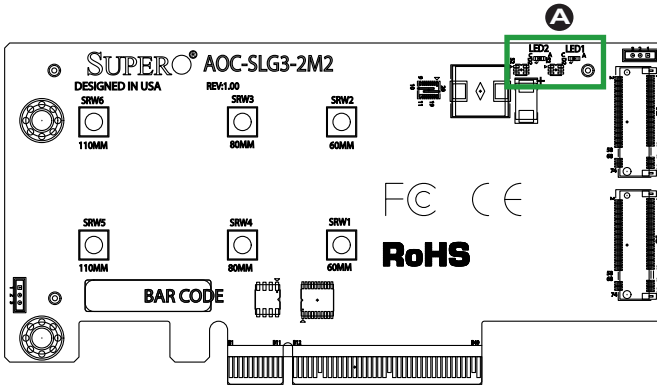


Figure 2-3. AOC-SLG3-2M2 LEDs

A. Activity LEDs

Activity LED Status		
LED	Color	Status
LED1	Green	Blinks whenever there is read or write activity on M.2 Socket 1.
LED2	Green	Blinks whenever there is read or write activity on M.2 Socket 2.

2-4 Standoffs

The AOC-SLG3-2M2 is designed with movable standoffs which support three different M.2 SSD lengths. Place the standoffs as indicated below:

M.2 Length	Standoff Positions
22mm x 110mm	1: SRW5 and SRW6
22mm x 80mm	2: SRW3 and SRW4
22mm x 60mm	3: SRW1 and SRW2

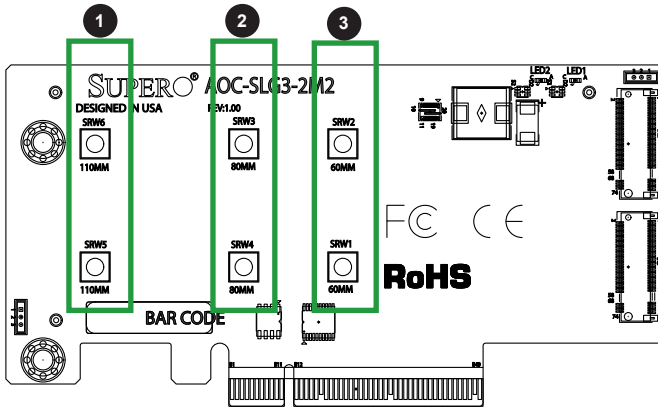


Figure 2-4. AOC-SLG3-2M2 Standoff Positions

Chapter 3

Installation

3-1 Static-Sensitive Devices

Electrostatic Discharge (ESD) can damage electronic components. To avoid damaging your expansion card, it is important to handle it very carefully. The following measures are generally sufficient to protect your equipment from ESD.

Precautions

- Use a grounded wrist strap designed to prevent static discharge.
- Touch a grounded metal object before removing the expansion card from the antistatic bag.
- Handle the expansion card by its edges only; do not touch its components or peripheral chips.
- Put the expansion card back into the antistatic bags when not in use.
- For grounding purposes, make sure that your system chassis provides excellent conductivity between the power supply, the case, the mounting fasteners and the expansion card.

Unpacking

The expansion card is shipped in antistatic packaging to avoid static damage. When unpacking your component, make sure you are static protected.

Note: To avoid damaging your components and to ensure proper installation, be sure to always connect the power cord last, and always remove it before adding, removing or changing any hardware components

3-2 Installing Expansion Cards

The AOC-SLG3-2M2 supports two M.2 SSDs in either 60 mm, 80 mm or 110 mm lengths. Visit the Supermicro website for a current list of supported M.2 SSDs.

Installing Expansion Cards

1. Power down the system and remove the power cord from the rear of the power supply.
2. Use industry-standard anti-static equipment (such as gloves or wrist strap) and follow the precautions on page 3-1 to avoid damage caused by ESD.
3. In the rear of the chassis, remove the screw securing the PCIe slot cover over the PCIe slot and set it aside for later use.
4. Insert one or two M.2 SSDs into the slots on the expansion card as illustrated below.

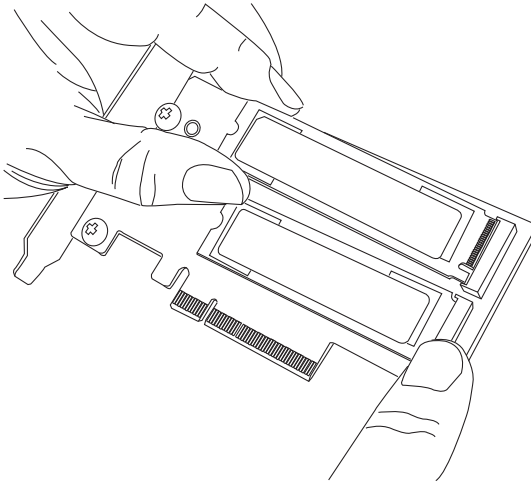


Figure 3-1. Inserting a M.2 SSD Into the Expansion Card Slots

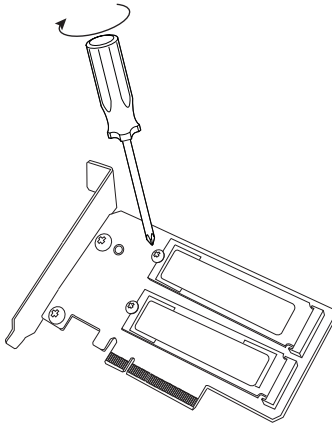


Figure 3-2. Securing the M.2 SSDs to the Expansion Card

5. Secure each M.2 card by placing a screw in the mounting hole designated as 60 mm, 80 mm or 110 mm.

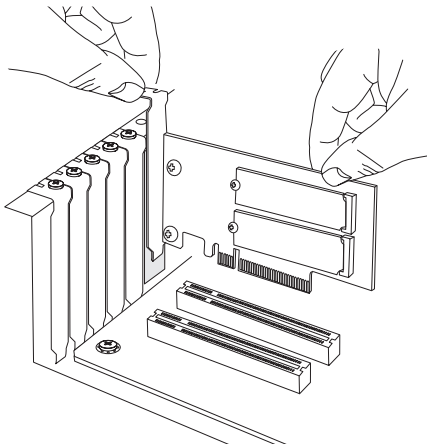


Figure 3-3. Securing the M.2 SSDs to the Expansion Card

6. Simultaneously slide the expansion card bracket into the PCIe slot of the chassis, while plugging the expansion card into the appropriate slot on the motherboard.

7. Secure the expansion card's bracket into the PCIe slot by replacing the PCIe slot screw that was previously set aside.

8. Plug the power cords into the rear of the power supply and power up the system.

3-3 Installing the Drivers in Windows

Refer to the instructions that came with your M.2 SSD and follow the manufacturer's recommended steps for installing the NVMe driver. Download the latest drivers from the Supermicro project board at <ftp://ftp.supermicro.com/driver/NVMe/>.

3-4 Uninstalling the Drivers

To Uninstall the Drivers in Windows:

Follow the instructions provided by your M.2 SSD manufacturer.

To Uninstall the Drivers in Linux:

Run the following command to uninstall the NVMe drivers:

```
./RemoveService.sh
```

(Disclaimer Continued)

The products sold by Supermicro are not intended for and will not be used in life support systems, medical equipment, nuclear facilities or systems, aircraft, aircraft devices, aircraft/emergency communication devices or other critical systems whose failure to perform be reasonably expected to result in significant injury or loss of life or catastrophic property damage. Accordingly, Supermicro disclaims any and all liability, and should buyer use or sell such products for use in such ultra-hazardous applications, it does so entirely at its own risk. Furthermore, buyer agrees to fully indemnify, defend and hold Supermicro harmless for and against any and all claims, demands, actions, litigation, and proceedings of any kind arising out of or related to such ultra-hazardous use or sale.