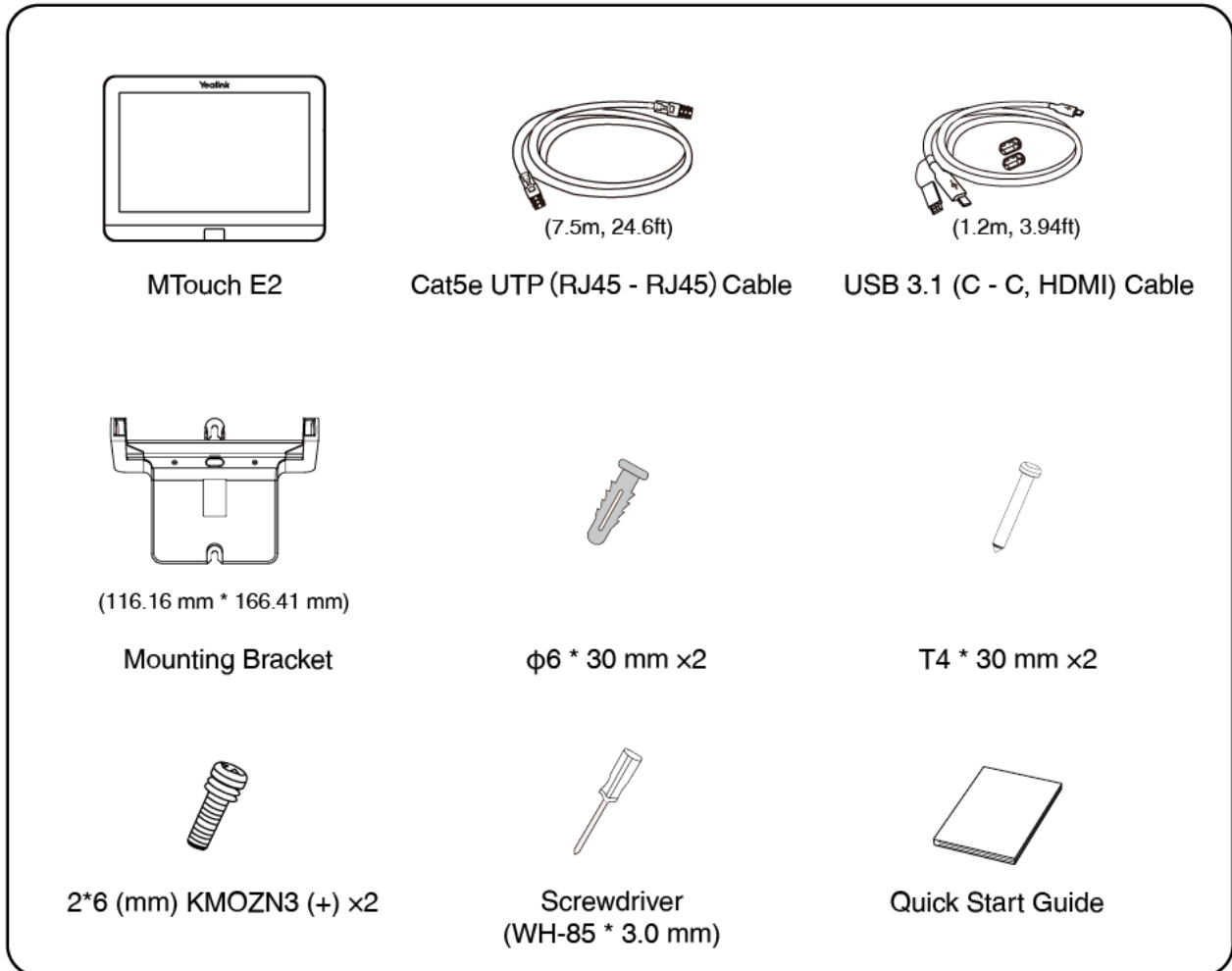


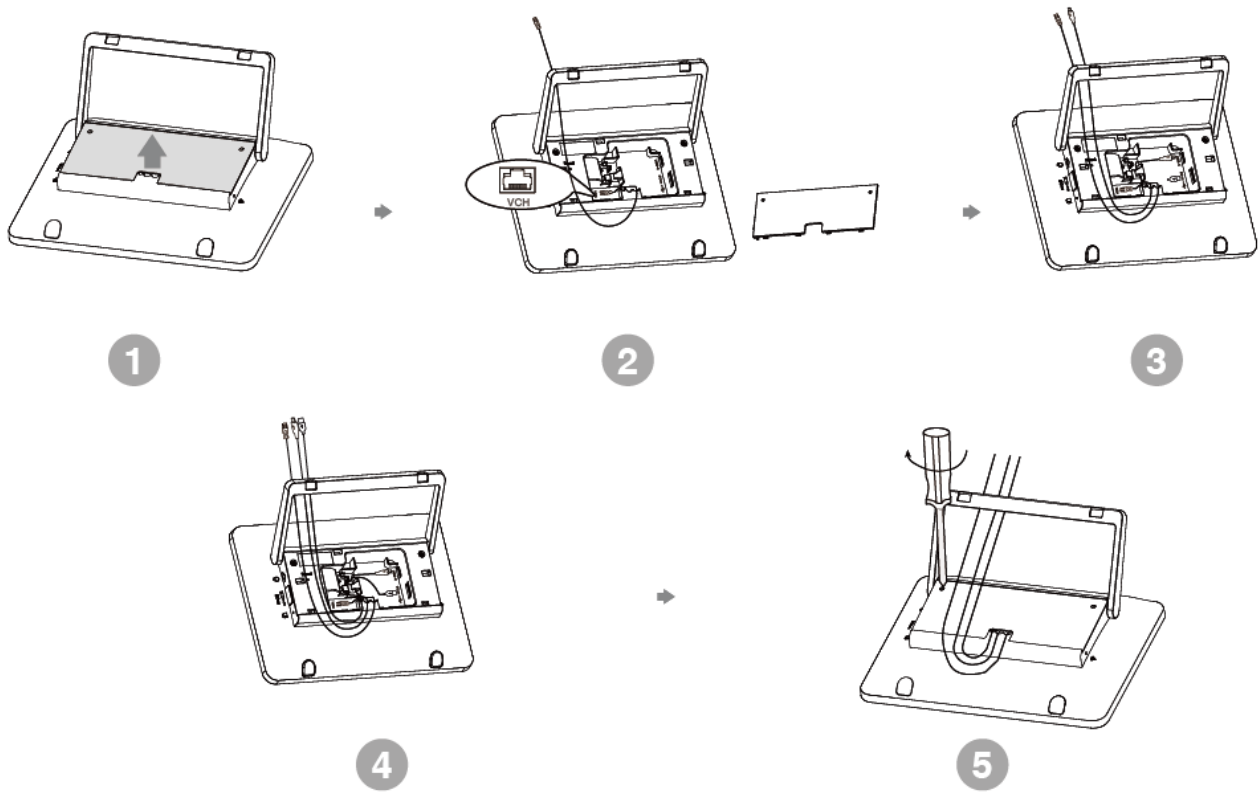
# MTouch E2 Installation

## Package Contents



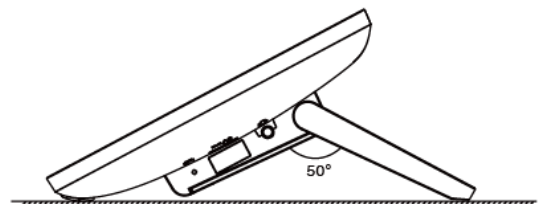
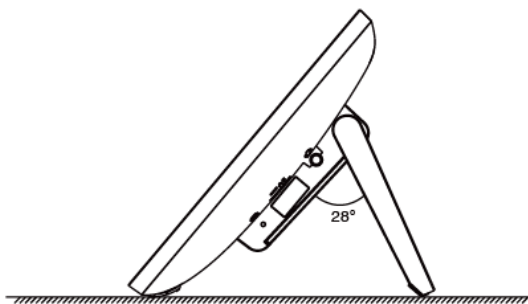
**NOTE**  
 We recommend that you use the accessories provided or approved by Yealink. The use of unapproved third-party accessories may result in poor performance.

## Assemble MTouch E2

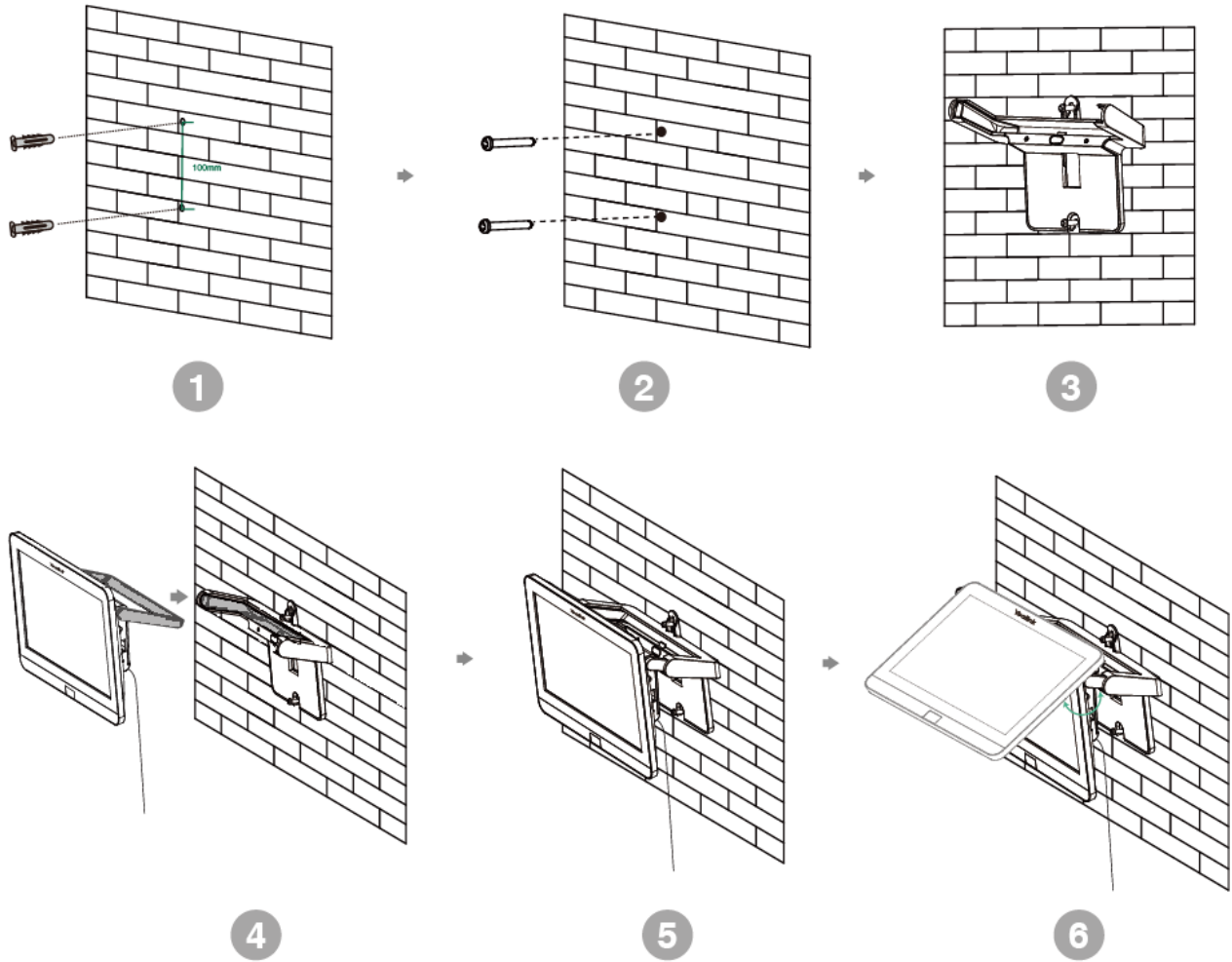


## Installation

### Put on a table



### Mount on a Wall



**NOTE**

If the conference room environment allows, you can also route the MTouch E2 through the wall.

**Connection**

